

Models Available

ISOLEX7 Isolated Switch Module

Product Features

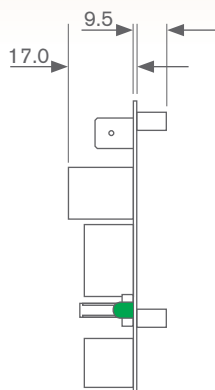
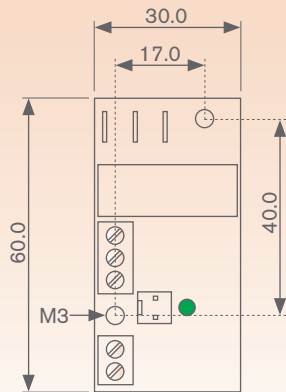
- Voltage free switch module
- Alternative to air switch and tubing
- Full galvanic isolation
- Use with momentary or latching switch
- 16 Amp changeover relay output
- 110Vac, 230Vac or 24Vdc powered
- Power up delay for diagnostic testing
- Switch short circuit protection
- Onboard LED or optional remote LED

The Tempatron Isolex7™ isolated switch modules offer a modern low cost alternative to air switching systems and tubing by using advanced solid state ferromagnetic technology. The devices can be used with a momentary or latching electrical switch, connected by up to 50 metres of earthed cable. They are available in 110Vac and 230Vac versions (or 24Vdc to special order) with a 16 Amp changeover relay output.

The sensors pass near zero measurable current through the connected switch and provide full galvanic isolation between the supply and the inputs and outputs. These chassis mounting modules measure only 60mm x 30mm, have an integral 5 second power up delay for diagnostic testing, and an inbuilt safety circuit to automatically de-energise the output if the connected switch wiring is short circuited. An onboard (or optional remote) LED indicates relay status and diagnostic conditions.

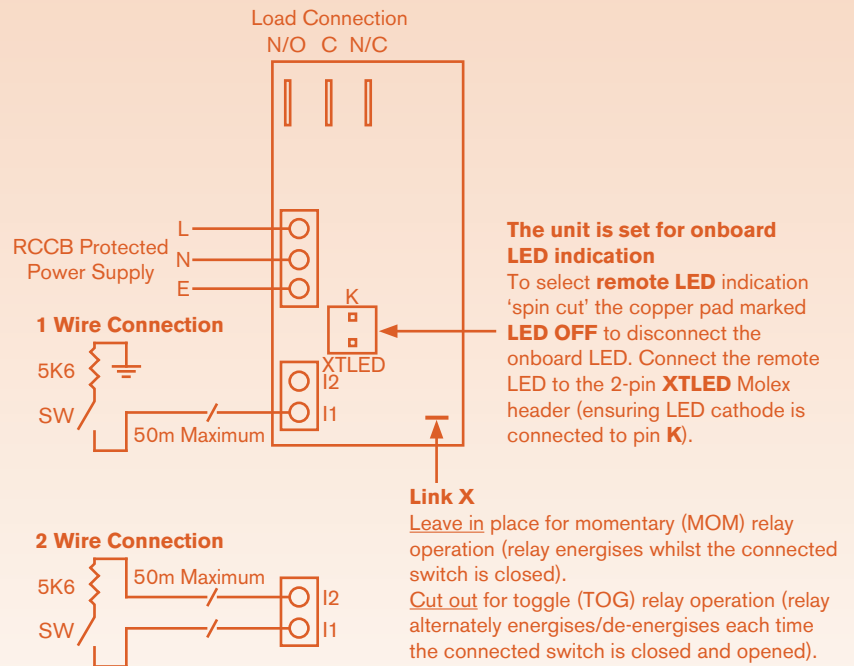
For isolated switching in electrical systems, as an alternative to air switching

Dimensions



All dimensions in mm

Connections



Switch Wiring Diagnostic Test

Set the connected switch to off and switch on the power supply to the unit. The LED will illuminate and blink for approximately 5 seconds if the length/capacitance of the switch wiring is within acceptable limits.

Ordering information

Model	Code	Description
	ISOLEX7	Isolated Switch Module

Auxiliary Power	Code	Description
	110V	110Vac
	230V	230Vac
	24V	24Vdc

Example	ISOLEX7-230V
----------------	---------------------

Specification**Power Supply Voltages:**

- 110Vac (45-60Hz)
- 230Vac (45-60Hz)
- 24Vdc (to special order)

Supply Voltage Variation:

- $\pm 15\%$

Burden:

- 2.5mA nominal (relay off)
- 10mA nominal (relay on)

Probe Circuit Power:

- <30 microwatts

Output:

- Single pole changeover relay contact
- 16A at 240Vac/30Vdc (resistive)

Re-activate Delay:

- 5 seconds nominal

De-activate Delay:

- 25ms nominal

Switch Type:

- Switch and 5k6ohm 0.25W resistor

Switch Connection:

- 2 wire earthed or 1 wire double earthed (see wiring connections)

Output Operation:

- Momentary operation or latch on/off operation (selectable by link X)

LED Indication:

- Onboard green LED (2 pin molex connector for remote LED)
- Blinking off: Power up test, switch line signal OK
- Blinking on: Relay de-energised
- Continuous on: Relay energised

Electrical Connections:

- Five screw terminals for power & probes
- Three 6.3mm blades for relay output

Mounting:

- Two M3 fixing pillars (40mm vertical x 17mm horizontal)

Operating Temperature:

- -20°C to 65°C

Enclosure Code:

- Case IP00

Weight:

- 35g

Specification subject to change without notice.

Tempatron: Eltime House, Hall Road, Maldon, Essex, CM9 4NF UK.

TEMPATRON

Tempatron Industrial Controls is a division of Eltime Ltd.

© Eltime Ltd. Tempatron Isolex7 Isolated Switch Modules 05/2011