

PJ32 On/Off Temperature Controllers

The PJ32 on/off temperature controllers are simple digital on/off controllers for use with an NTC input with a range of -50 to 90°C, or PTC input with a range of -50 to 150°C.

Versions are available with 1 or 2 inputs, 1 or 2 control relay outputs and an alarm output, and are powered from 230Vac.

The controllers feature a simple user interface and can be programmed rapidly using the optional plug-in programming key.

The PJ32 controllers are housed in a compact panel mounting enclosure and can be installed from the front of the panel using the plug-in terminals.

Models Available

PJ32V 1 Relay Digital Temp. Controller

PJ32W 2 Relay Digital Temp. Controller

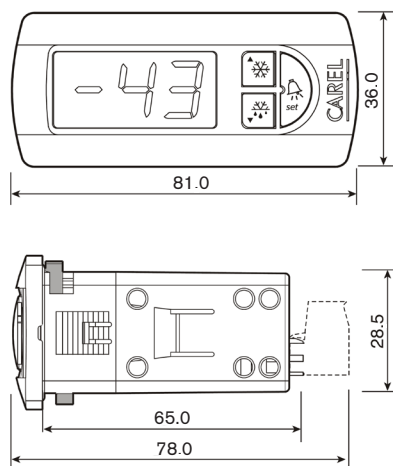
PJ32Z 3 Relay Digital Temp. Controller

Product Features

- 1 or 2 NTC or PTC probe inputs
- Up to 3 relay outputs
- 1 or 2 independent controllers
- Panel mounting
- IP65 enclosure
- 230Vac powered
- Plug-in terminals
- Front panel mounting system

For digital temperature monitoring and on/off control with NTC or PTC input

Dimensions

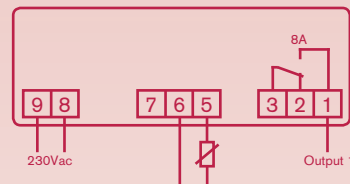


Panel cutout 71 mm x 29mm (-0.0/+0.5)

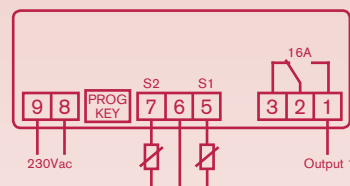
All dimensions in mm

Connections

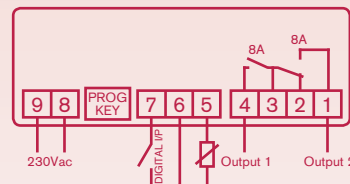
PJ32V6E



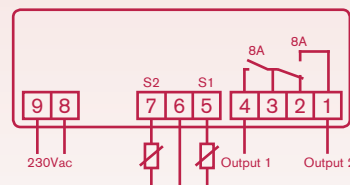
PJ32V6P / V0P



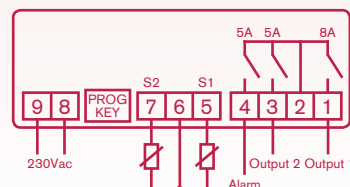
PJ32W1



PJ32W0



PJ32Z



Ordering information

Model	Code	Description
	PJ32V	1 Relay Digital Temperature Controller
	PJ32W	2 Relay Digital Temperature Controller
	PJ32Z	3 Relay Digital Temperature Controller

Input	Code	Description
	0	2 x NTC -50 to 90°C
	1	1 x NTC -50 to 90°C & 1 x Digital Input (N/A for PJ32V and PJ32Z)
	6	2 x PTC -50 to 150°C (1 x PTC -50 to 150°C for PJ32V6E000) (N/A for PJ32W)

IR Sensor & Buzzer	Code	Description
	E000	Economic - No Infrared Sensor or Buzzer (V6 only)
	0000	8 Amp Relay Contacts (N/A PJ32V)
	P000	16 Amp Relay Contacts (N/A for PJ32W, PJ32Z or Input 1)

Options	Code	Description
	PJOPZKEY00	Programming Key for PJ32 Controller

Example **PJ32W10000**

Options**Temperature Probes**

A range of NTC and PTC temperature probes are available to suit the PJ32 controllers.

Programming Key

The PJ32 controllers can be programmed quickly using the optional programming key, even when not powered, reducing the risk of errors.

Specification**Accuracy:**

- NTC: $\pm 1^{\circ}\text{C}$
- PTC: $\pm 3^{\circ}\text{C}$

Power Supply Voltage:

- 230Vac (-15/+10%)

Frequency:

- 50/60Hz

Burden:

- <3VA

Inputs:

- 1 or 2 NTC or PTC

Resolution:

- 1°C

Relay Output (Resistive):

- V6E: 1 changeover 8A contact
- V6P, V0P: 1 changeover 16A contact
- W0, W1: 1 changeover 8A contact
& 1 N/O 8A contact
- Z0, Z6: 1 N/O 8A contact
& 2 N/O 5A contacts

Operating Temperature & Humidity:

- -10°C to 50°C
- <90% rH (non-condensing)

Storage Temperature & Humidity:

- -20°C to 70°C
- <90% rH (non-condensing)

Enclosure Code:

- Case IP65

Weight:

- 220g

Markings:

- CE marked (meets EN61010-1 low voltage and EN50081-1/50082-1 EMC directives)

Specification subject to change without notice.

Tempatron: Eltime House, Hall Road, Maldon, Essex, CM9 4NF UK.

TEMPATRON

Tempatron Industrial Controls is a division of Eltime Ltd.

© Eltime Ltd. Tempatron PJ32 Controllers 04/2011