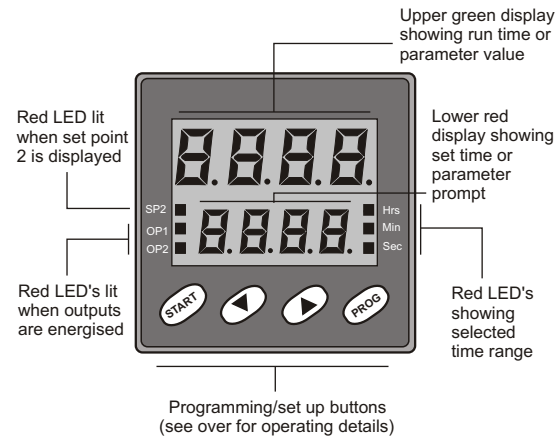
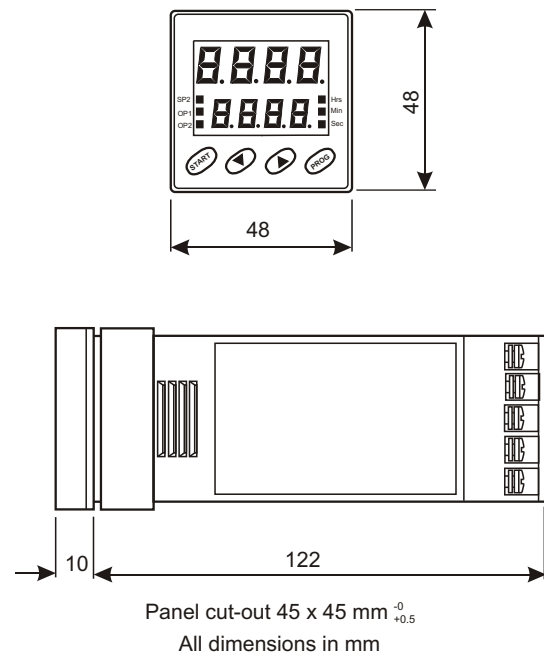


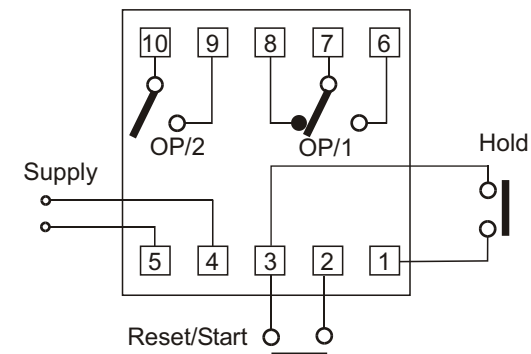
Front Panel Functions



Dimensions

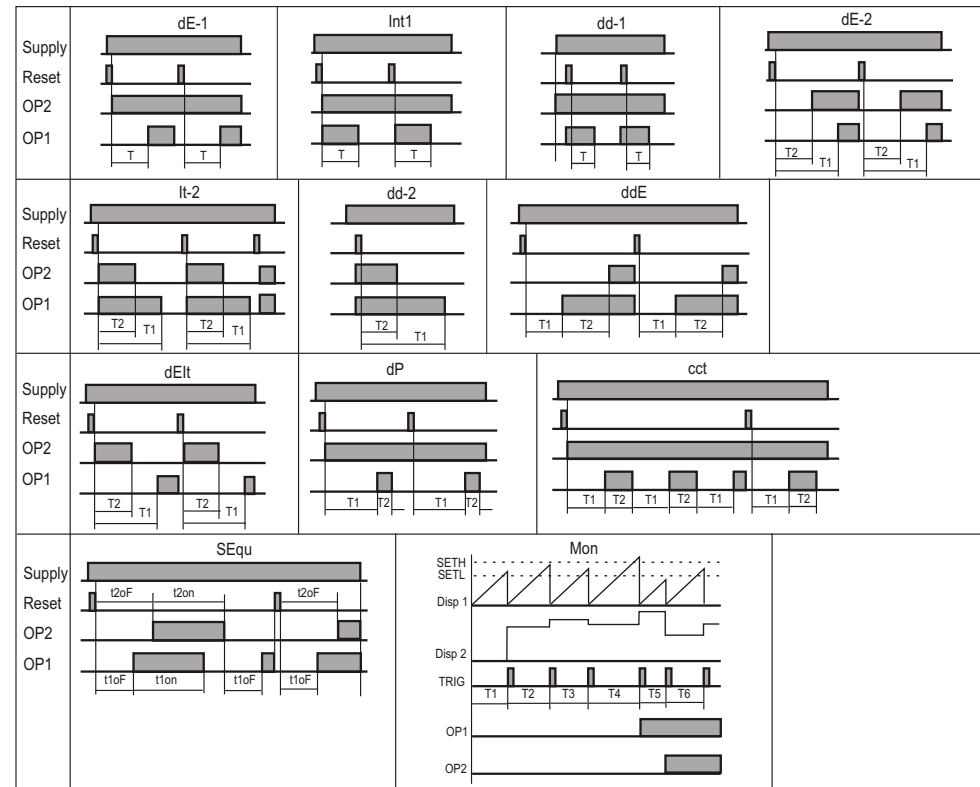


Wiring Diagram



Timing Modes

(All timing diagrams shown in *Eur* reset mode)



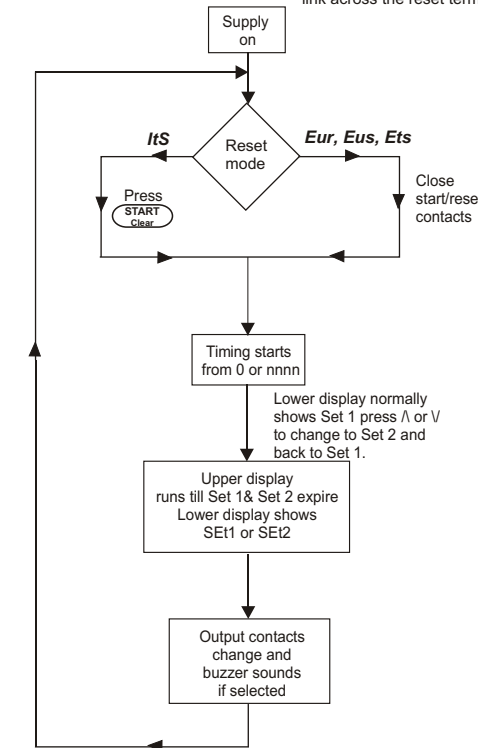
Program Parameters

Parameter	Function	Default Value	Range/Options
SET 1(H, t1oF) SET 2(L, t2oF) t1on, t2on	Timing set-points (Values appear when reqd)	000.0	0 to timing range
PASS	Password to access program menu	48	00 = no password Direct access to program menu 1 to 49 = Password access to program menu and set-points adjustable 50 to 99 = Password access to program menu and set-points locked (view only)
MODE	Timing Mode	dE-1	dE-1: On-Delay + Inst relay Int1: Interval + Inst relay dd_1 : Off-Delay + Inst relay dE-2: 2 independent On-Delays Int2 : 2 independent Intervals dd-2: 2 independent Off-Delays ddE: 2 dependant On-Delays dEIt: On-Delay + Interval dP : Delayed Pulse + Inst relay cct : Cycle Timer, variable on & off SEqu: Sequence timer Mon : Cycle time monitor/alarm
RNG1 RNG2 t1oF, t2oF t1on, t2on	Timing Range (Values only appear when required)	SECS	SECS: 0 to 999.9 seconds MINS: 0 to 999.9 minutes M-S : 0 to 99 mins 59 secs H-M: 0 to 99 hours 59 mins
CNT	Direction of Timing count	uP	uP, dn
rSET	Reset options	Eur	Eur: External Universal Reset EuS: External Universal Start EtS: External Time-out Start ItS : Internal Time-out Start
BEEP	Selection of Buzzer option at Time-out	OFF	OFF, on

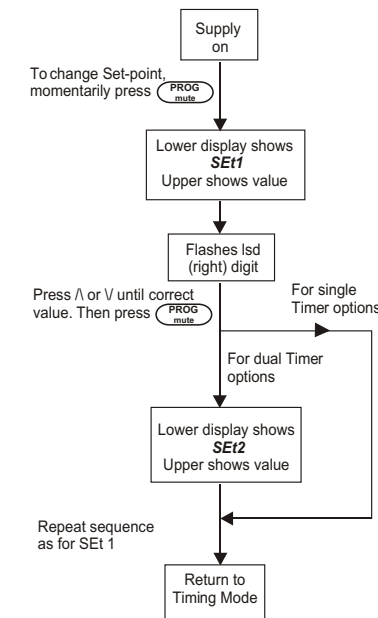
Program Parameter Map

Timing Mode

Note : To start timing from power on, select reset mode *EuS* and link across the reset terminals.



Set Point Mode



Program Mode

(Parameters shown at default settings)

