

Models Available

ISOLEX8 Liquid Level Sensor

Product Features

- Liquid sensing by detection of free ions
- High immunity to probe deposits
- Full galvanic isolation
- 16 Amp changeover relay output
- 110Vac, 230Vac or 24Vdc powered
- Time delay to avoid nuisance switching
- Onboard LED or optional remote LED

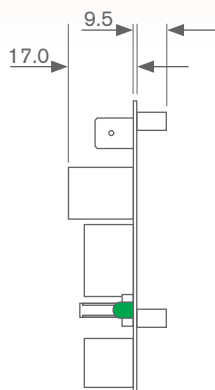
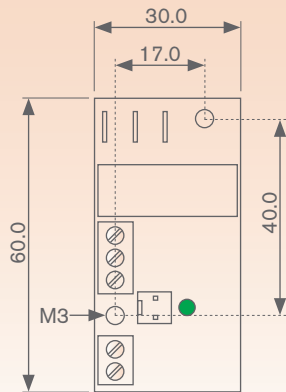
Isolex8™ Liquid Level Sensors

The Tempatron Isolex8™ liquid level sensors control the levels of conductive liquids by using advanced solid state ferromagnetic technology to sense the presence of liquid by detecting the free ions within it. They are ideal for applications where significant build up of deposit on the probes can occur. They are available in 110Vac and 230Vac versions (or 24Vdc to special order) with a 16 Amp changeover relay output.

The sensors essentially pass no measurable current through the liquid and provide full galvanic isolation between the supply and the inputs and outputs. These chassis mounting modules measure only 60mm x 30mm, have an integral 5 second delay to avoid nuisance switching, and require two mutually isolated metallic probes, one of which can be the earthed container itself. An onboard (or optional remote) LED indicates relay status and diagnostic conditions.

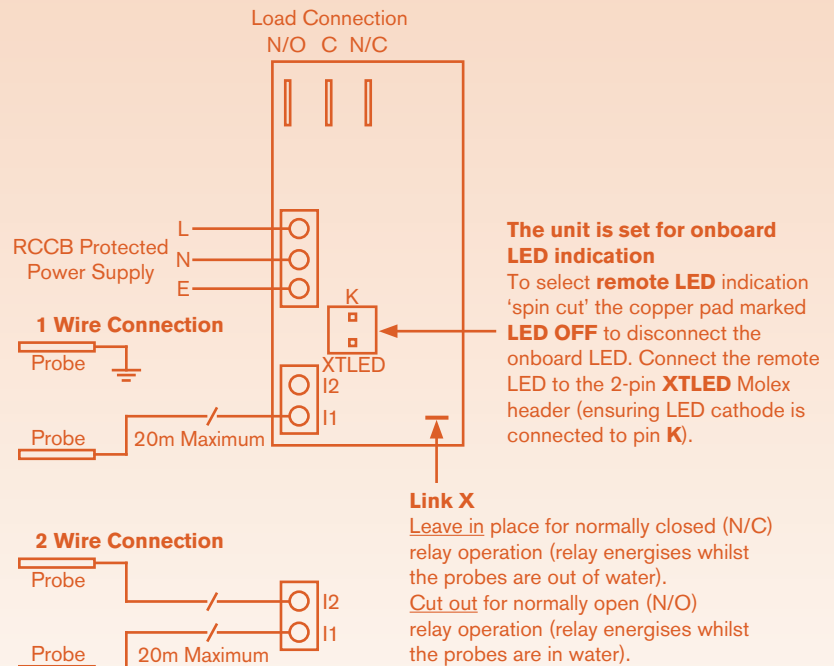
For detection and control of liquid levels in conductive liquids

Dimensions



All dimensions in mm

Connections



Probe Wiring Diagnostic Test

Ensure that the probes (or sensing probe in earthed tank configurations) are not in contact with the liquid. Switch on the power supply to the unit. The LED will illuminate and blink for approximately 5 seconds if the length/capacitance of the probe wiring is within acceptable limits.

Ordering information

Model	Code	Description
	ISOLEX8	Liquid Level Sensor

Auxiliary Power	Code	Description
	110V	110Vac
	230V	230Vac
	24V	24Vdc

Example	ISOLEX8-230V
----------------	---------------------

Specification**Power Supply Voltages:**

- 110Vac (45-60Hz)
- 230Vac (45-60Hz)
- 24Vdc (to special order)

Supply Voltage Variation:

- $\pm 15\%$

Burden:

- 2.5mA nominal (relay off)
- 10mA nominal (relay on)

Probe Circuit Power:

- <30 microwatts

Output:

- Single pole changeover relay contact
- 16A at 240Vac/30Vdc (resistive)

Re-activate Delay:

- 5 seconds nominal

De-activate Delay:

- 25ms nominal

Probe Type:

- 2 x metallic probes, insulated from tank wall, nominal surface area 1 cm²

Probe Connection:

- 2 wire earthed or 1 wire double earthed (see wiring connections)

Output Operation:

- Relay energised when probe in or out of liquid (selectable by link X)

LED Indication:

- Onboard green LED (2 pin molex connector for remote LED)
- Blinking off: Power up test, probe line signal OK
- Blinking on: Relay de-energised
- Continuous on: Relay energised

Electrical Connections:

- Five screw terminals for power & probes
- Three 6.3mm blades for relay output

Mounting:

- Two M3 fixing pillars (40mm vertical x 17mm horizontal)

Operating Temperature:

- -20°C to 65°C

Enclosure Code:

- Case IP00

Weight:

- 35g

Specification subject to change without notice.

Tempatron: Eltime House, Hall Road, Maldon, Essex, CM9 4NF UK.

TEMPATRON

Tempatron Industrial Controls is a division of Eltime Ltd.

© Eltime Ltd. Tempatron Isolex8 Liquid Level Sensors 05/2011