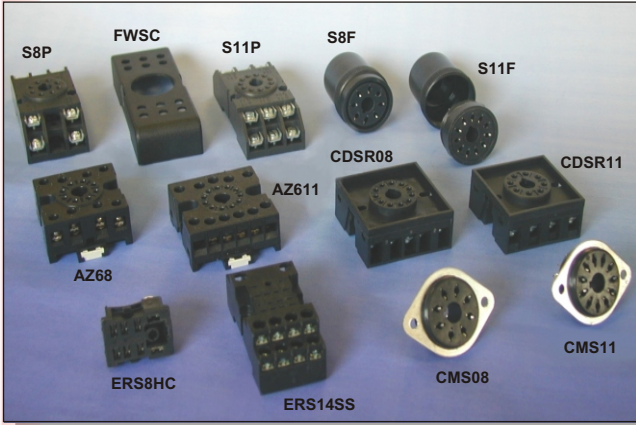


MOUNTING AND WIRING SOCKETS

CHASSIS, PANEL & DIN RAIL MOUNTED WIRING SOCKETS



This range of compact sockets manufactured in flame retardant UL94 V0 rated, Nylon PA6 and can be DIN-rail, panel or chassis mounted products. The sockets are suitable for use with Tempatron 8 and 11 pin timers and process controllers.

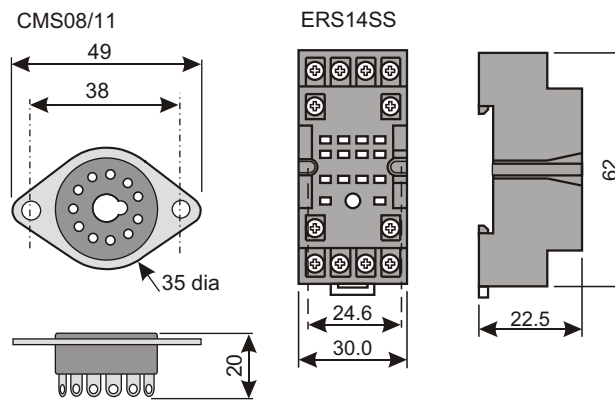
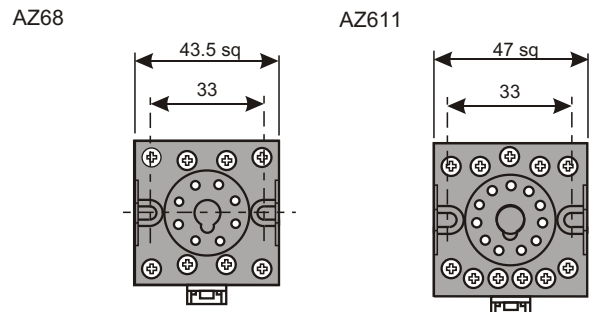
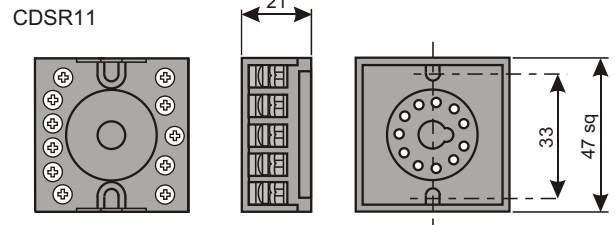
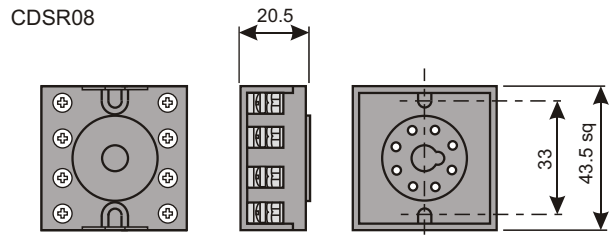
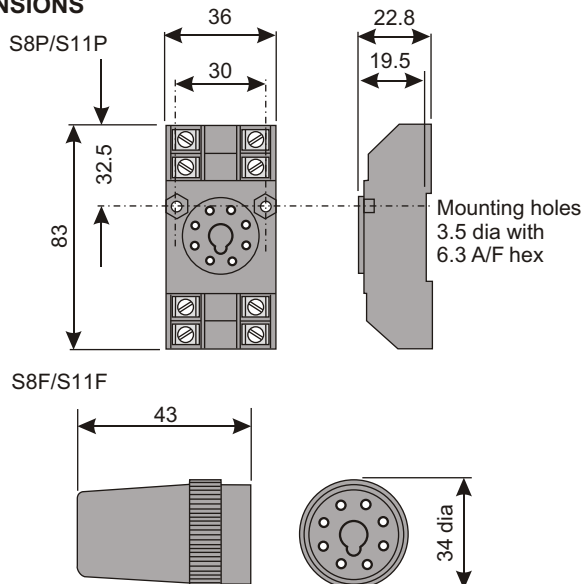
All screw terminals are shrouded and finger proofed to maximise safety. Terminals are rated at 5A & 10A at 250Vac depending on type.

The ERS14SS socket is designed primarily to suit the Tempatron MT4L timer but may also be used for any miniature 4 pole relay of similar pin-out.

SPECIFICATION

Contact Load:	AZ types :	10A @ 250Vac
	CDSR types :	10A @ 250Vac
	S8P/S11P :	10A @ 250Vac
	S8F/S11F :	10A @ 250Vac
	CMS types :	5A @ 250Vac
	ERS types :	5A @ 250Vac
Insulation:		> 10 ³ M
Dielectric Strength:		>2KV
Fixings:		M3 screws or DIN-rail EN50022
Protection:		IP20 V0
Flammability:		UL94
Material:		Nylon PA6
Weight:	AZ types :	35gms
	CDSR types :	45gms
	CMS types :	30gms
	ERS8 :	20gms
	ERS14 :	40gms

DIMENSIONS



STANDARD ITEMS

Mounting	No pins	Terminals	Part Number
Sockets			
Panel	8	Rear screw	CDSR08
Panel	11	Rear screw	CDSR11
Panel/DIN rail	8	Front screw	AZ58
Panel/DIN rail	8	Front screw	AZ511
Panel/DIN rail	8	Front screw	S8P
Panel/DIN rail	8	Front screw	S11P
Free	8	Solder	S8F
Free	11	Solder	S11F
Chassis	8	Solder	CMS08
Chassis	11	Solder	CMS11
Chassis/panel	8	Solder	ERS8HC
Panel/DIN rail	14	Front screw	ERS14SS
Covers			
To suit S8P and S11P			FWSC
Clips			
Panel(pair)			C1004
DIN rail			C1010
DIN rail			C1011