

ANALOGUE TIMERS

TEMPATRON

MT4L MINIATURE TIMER



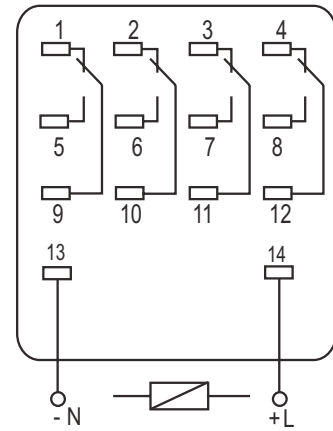
- 11 time ranges up to 60 minutes
- 4PCO relay outputs
- 24Vdc, 24Vac, 110Vac & 230Vac supply options
- Miniature size (28 x 22 x 68mm)

The MT4L series timers are miniature, 4 pole relay output, analogue units that operate in a 'Delay-on-Energise' mode only. They offer a wide range of set times with four standard supply voltages.

SPECIFICATION

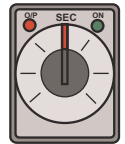
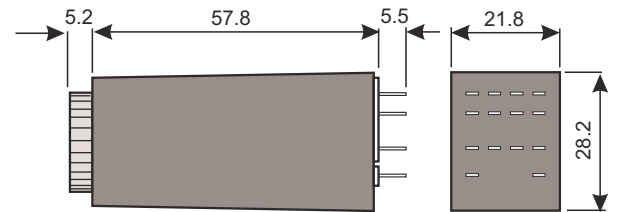
Supply voltage:	24Vac, 110Vac, 230Vac @ 50/60 Hz, 24Vdc
Power drain:	2VA or 2W max.
Supply limits:	+/- 10% of supply voltage
Timing modes:	Delay On (DE)
Timing ranges:	1, 2, 5, 10, 30, 60 Sec, 2, 5, 10, 30, 60 Min
Scale range:	5 to 100% of max time setting
Scale accuracy:	+/- 5% of timing range
Repeat accuracy:	<2% of scale value
Reset time:	100msec max.
Output rating:	4PCO relay, 3A @ 240Vac or 30Vdc resistive
Electrical life:	2x10 ⁵ ops at rated load
Operating temp:	-10°C to +60°C
Weight:	50 gms
Wiring socket:	ERS14SS socket & C1016 clip

CONNECTION DIAGRAM



Viewed from base of timer

DIMENSIONS



STANDARD ITEMS

Voltage	Time range	Part Number
230Vac	5 sec	MT4L5S230VAC
	10 sec	MT4L10S230VAC
	30 sec	MT4L30S230VAC
	60 sec	MT4L60S230VAC
	5 min	MT4L5M230VAC
	10 min	MT4L10M230VAC
110Vac	30 min	MT4L30M230VAC
	5 sec	MT4L5S110VAC
	10 sec	MT4L10S110VAC
	30 sec	MT4L30S110VAC
24Vac	60 sec	MT4L60S110VAC
	30 min	MT4L30M110VAC
	5 sec	MT4L5S24VAC
	30 sec	MT4L30S24VAC
24Vdc	10 min	MT4L10M24VAC
	5 sec	MT4L5S24VDC
	10 sec	MT4L10S24VDC
	60 sec	MT4L60S24VDC