

F SERIES ON/OFF TEMPERATURE CONTROLLER



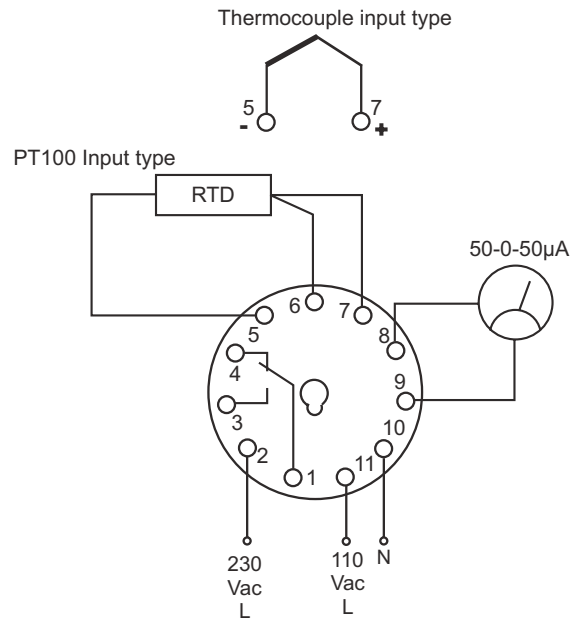
- K type thermocouple or PT100 inputs
- 5A SPCO relay output
- 110 or 230Vac supply options
- On/off control action
- Deviation meter output on PT100 input version

The F series is a simple on/off temperature controller that will operate from a 110 or 230Vac power source. Versions are available for use with type K thermocouple and 2 or 3 wire PT100 inputs. The control output is a single 5A rated changeover relay. The controller can either be panel mounted using the 48x48 front bezel or DIN rail mounted using an appropriate 11 pin wiring socket.

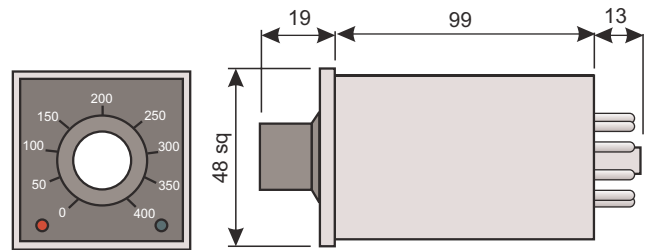
SPECIFICATION

Supply voltage:	110/230(220-240)Vac
Supply frequency:	50/60 Hz
Power drain:	4VA max.
Scale accuracy:	+/- 1% of full scale
Scale range:	K thermocouple : 0 to 400°C PT100 : -50 to 100°C
Input sensor:	K thermocouple, 2 or 3-wire PT100
Control band:	On/Off: Hyst. = 0.5% of full scale
Output rating:	SPCO relay, 5A/240Vac resistive
Electrical life:	100,000 ops at rated load
Deviation output:	+/- 50 Amps (PT100 input type only)
Ambient range:	-10 to 50°C non-condensing
Approvals:	Conforms to CE emc EN50081-1 & EN50082-1 and low voltage EN61010-1 directives
Weight:	170gms

CONNECTION DIAGRAM



DIMENSIONS



Panel Cut-out 45 x 45 mm⁺⁰_{-0.5}

STANDARD ITEMS

Input	Mode	Range	Part Number
K T/c	On/Off	0 to 200°C	FTST
PT100	On/Off	-50 to 150°C	FPRT
Wiring socket - panel mount			AZ511
Wiring socket - DIN rail			AZ611