



- **5 Independent timers or relays**
- **5 Programmable timer modes**
- **3 Timing ranges**
- **External start or reset**
- **Large clear LED display with status indicators**
- **Security coded program access**

The UMT 500 timer is a programmable digital timer with 5 relay outputs, each of which has 5 selectable operating modes and an external start/reset function. Each output can either be programmed in timed or instantaneous mode making the UMT500 a particularly flexible unit for in-panel machine control applications that do not warrant the cost or complexity of an industrial plc.

The UMT 500 is an economic alternative to individual DIN rail mounted timers or relays, reducing installation costs by keeping wiring to an absolute minimum.

Simple programming, a large bright LED display and a standard DIN rail mounting package only 70 mm wide make the unit particularly attractive in applications where space is at a premium.

The UMT 500 covers time ranges from 0.1 seconds to 100 hours in one model and is available in 12/24 Vac/dc or 110Vac and 230Vac power supply versions. The programming routines are password protected for security.

SPECIFICATION

Timing ranges : 0 to 999.9 secs,
0 to 99 mins 59 secs,
0 to 99 hrs 59 mins.

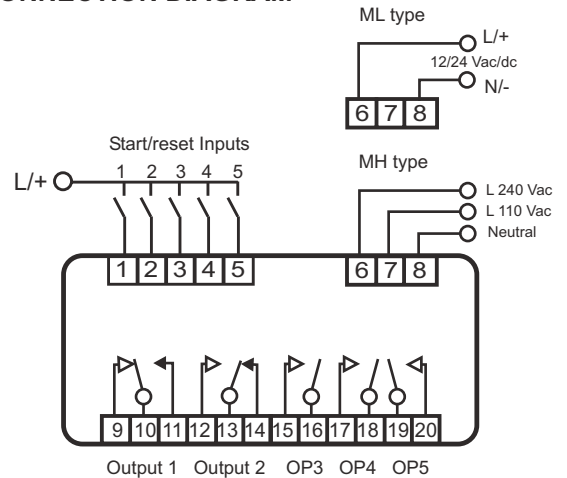
Timing modes : DE - delay on energise
INT - Interval
DD - Delay on de-energise
CCT - Cycle timer with cycle limiter
DODO - Delay on/Delay off
RLY - Externally activated relay

Supply voltage : 12-24Vac/dc, 110Vac & 240Vac
Supply variation : +/- 10% of Supply Voltage.
Power drain : 3VA max.
Output ratings : OP 1&2 : SPDT relay 5A @ 240Vac resistive.
OP 3-5 : SPST relay 5A @ 240Vac resistive.

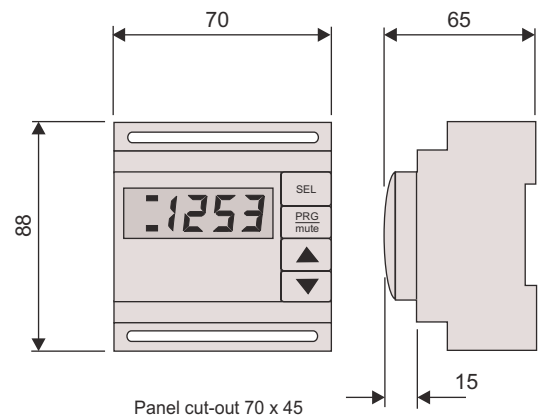
Reset time : 100 msecs max.
Ambient cond : Working temp: 0 to 50°C, storage temp: 0 to 70°C.
Approvals : Complies with CE directives EN50081-1 & EN50082-1 for emc and EN61010-1 for low voltage.

Weight : 290gms

CONNECTION DIAGRAM



DIMENSIONS



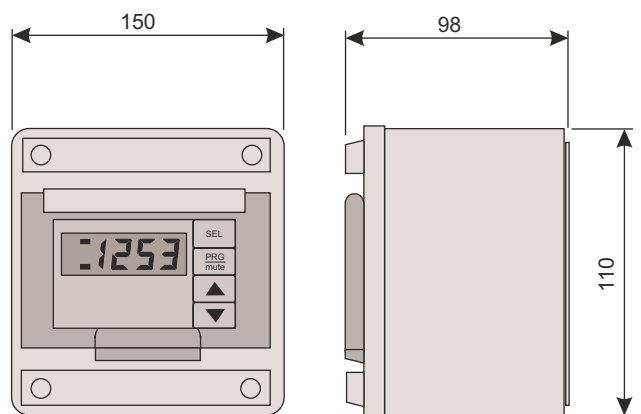
STANDARD ITEMS

No Inputs	No Outputs	Supply Voltage	Part Number
5	5	24Vac/dc	UMT500ML
5	5	110/230Vac	UMT500MH
Wall mounting enclosure			GR15070P

WALL MOUNTING ENCLOSURE

- **Impact absorbent thermoplastic case**
- **Clear hinged cover for access**
- **IP55 rating**

DIMENSIONS



Mounting hole centres : 87 x 107