

# TEMPERATURE & HUMIDITY SENSORS

## WALL & DUCT MOUNTING SENSORS



- 9-30Vdc or 12-24Vac supply voltage
- Selectable 0-1V or 4-20mA output
- Temperature range -10°C to 70°C
- Humidity range up to 100% rH (90% ASW)
- IP55 rating (ASD & ASPC only)

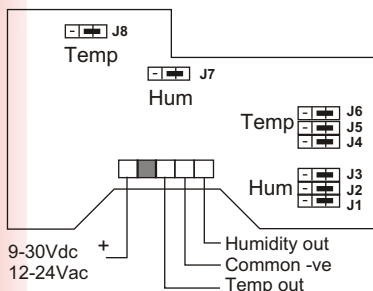
These temperature and humidity sensors are designed for commercial and industrial applications. The ASW versions are suitable for wall mounting where aesthetics are important while the ASD and ASPC are more suited to industrial uses. All types can be powered by 9-30Vdc or 12-24Vac, have a selectable 0-1V or 4-20mA output and are accurate to +/- 0.25°C and +/- 3% rH at 25°C. The ASW is IP40 rated while the ASD and ASPC are IP55 rated.

### SPECIFICATION

Supply voltage :	9 to 30Vdc +/-10%
	12 to 24Vac -10%/+15%
Temp accuracy :	NTC : +/-0.25°C @ 25°C;
	+/-1.2°C 0 to 50°C
	0-50°C range : +/-0.4°C @ 25°C;
	+/-1.2°C 0 to 50°C
	-10-70°C range : +/-0.2° @ 25°C;
	+/-0.7° -10 to 70°C
Humidity accuracy :	10-90% rH range : +/-3% @ 25°C;
	+/-6% 0 to 50°C
	0-100%rH range : +/-3% @ 25°C;
	+/-5% -10 to 70°C
Temperature output :	10mV/°C or 4-20mA
Humidity output :	10mV/%rH or 4-20mA
Operating range :	ASW : -10 to 70°C, 0 to 90% rH
	ASD : -10 to 70°C, 0 to 100% rH
Storage conditions :	-20 to 70°C, 0 to 100% rH non-condensing
Weight:	ASW : 150gms; ASD & ASPC : 180gms.

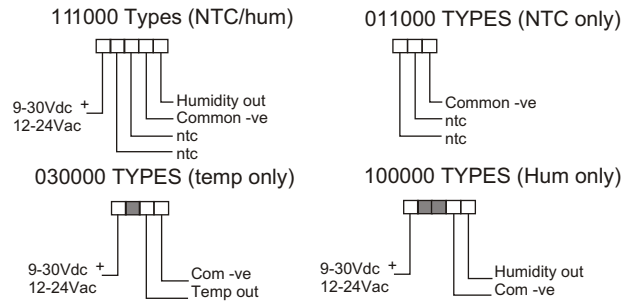
### CONNECTION DIAGRAM

110000 & 230000 TYPES



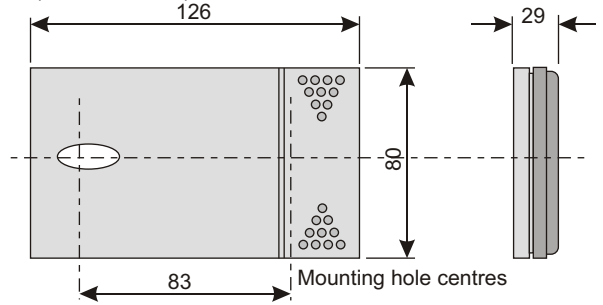
Output Configuration

- Switches J1 to J8 (where fitted)
- 4 - 20mA output  
Rmax = 100
  - 0 - 1 Vdc output  
Rmin = 1K

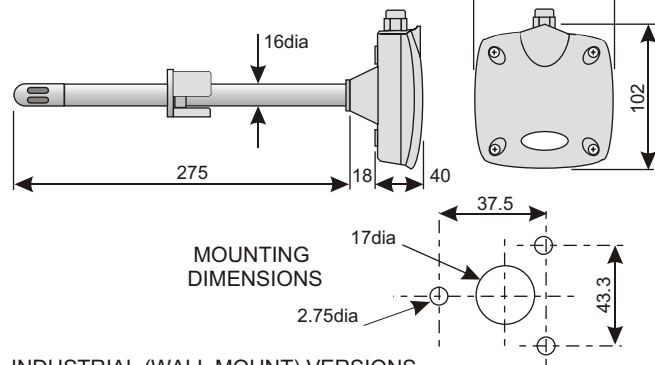


### DIMENSIONS

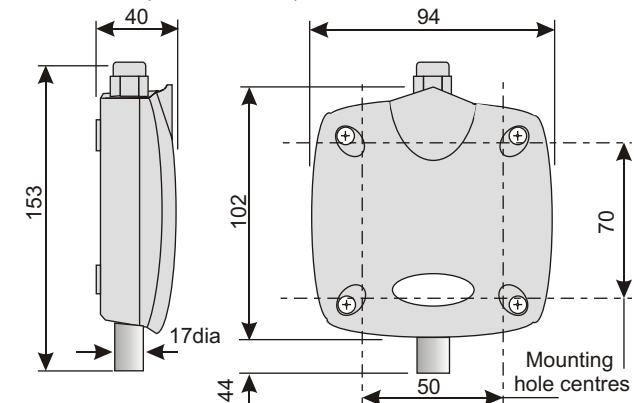
ASW (WALL MOUNT) VERSIONS



ASD (DUCT MOUNT) VERSIONS



INDUSTRIAL (WALL MOUNT) VERSIONS



### STANDARD ITEMS

Mounting	Temp Range	Hum Range	Part Number
Wall	NTC probe	-	DPWT011000
Wall	-10 - 60°C	-	DPWT010000
Wall	NTC probe	10 - 90%rH	DPWC111000
Wall	-10 - 60°C	10 - 90%rH	DPWC110000
Duct	NTC probe	-	DPDT011000
Duct	-20 - 70°C	-	DPDT010000
Duct	NTC probe	10 - 90% rH	DPDC111000
Duct	-10 - 60°C	10 - 90% rH	DPDC110000
Duct	-20 - 70°C	0 - 100%rH	DPDC210000
Ind	-10 - 60°C	10 - 90% rH	DPPC110000
Ind	-20 - 70°C	0 - 100%rH	DPPC210000