

# DIGITAL TIMERS

## TTDR DIN RAIL DUAL DIGITAL TIMER



- 9 Programmable modes
- 6 Timing ranges
- Security code
- 2 Timed or 1 timed + 1 inst. contact
- CE emc & low voltage compatible
- Programmable reset function
- External hold & reset
- Selectable up/down timing
- LED status & timing indicators

The TTDR timer has all of the features of the TT32 panel mounted timer in a DIN rail mounting package. The TTDR covers time ranges from 0.1 seconds to 100 hours in a single model and has nine operating modes, two power supply options and two timed relay outputs. When only one timed output is being used the other output acts as an instantaneous set of changeover contacts. The TTDR is styled to match the IRDR temperature controller.

### SPECIFICATION

Timing ranges: 0 to 999.9 secs, 0 to 9999 secs, 0 to 9999 mins, 0 to 99 mins 59 secs, 0 to 99 hrs 59 mins, 23:59 in 24 hr clock mode

Timing modes: DE, DDE, DP, CCT, DE-2, IT-2, DE-IT, DD-2, 24HR

Supply voltage: 12-24Vac/dc, 110Vac & 230Vac

Supply variation: +/- 10% of Supply Voltage.

Battery back-up: External 3Vdc to retain clock in 24H mode only at loss of supply voltage.

Power drain: 3VA max.

Contact ratings: OP1: 8A @ 240Vac, OP2: 5A @ 240Vac resistive

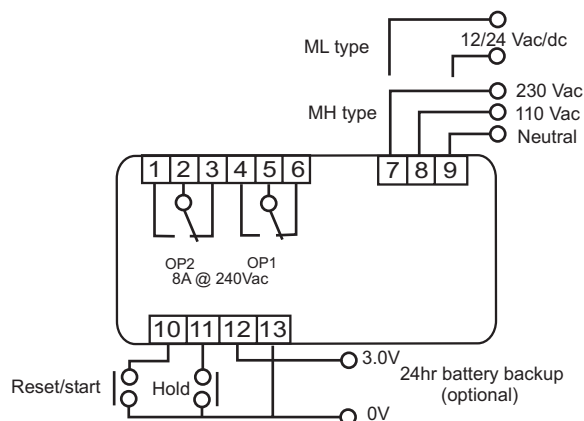
Reset time: 100 msecs max.

Ambient cond: Working temp: 0 to 50°C, storage temp: 0 to 70°C

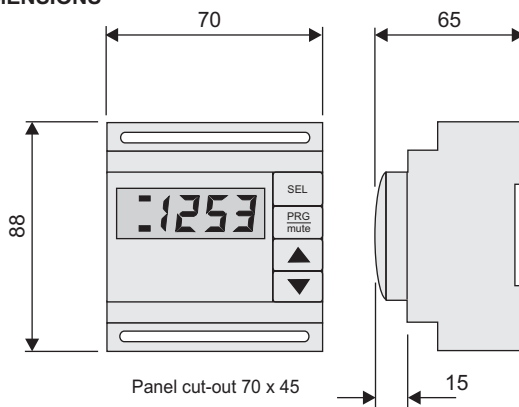
Approvals: Complies with CE directives EN50081-1 & EN50082-1 for emc and EN61010-1 for low voltage.

Weight: 240gms

### CONNECTION DIAGRAM



### DIMENSIONS



### Standard Items

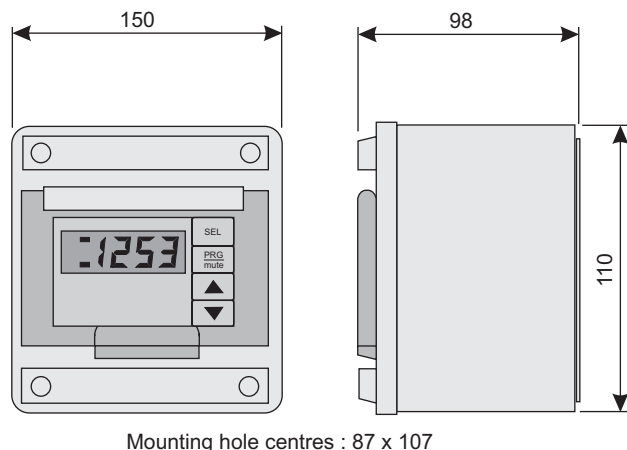
Mode	Time	Voltage	Part Number
All	All	12-24Vac/dc	TTDRML
All	All	110/230Vac	TTDRMH

For matching temperature controllers ask our sales office for details of the IRDR range.

### WALL MOUNTING ENCLOSURE FOR TTDR TIMER

- IP55 rated enclosure with hinged clear lid
- Supplied with DIN rail and fitting kit

### DIMENSIONS



### STANDARD ITEMS

Item	Part Number
Wall mounting enclosure	GR15070P