

# ANALOGUE TIMERS

## ENCAPSULATED TIME DELAY MODULES



- Encapsulated solid state timer modules
- On-delay (DE), interval (INT) and off-delay (DD) versions
- 2 time ranges from 0.5 to 200 seconds
- Internal and external control versions

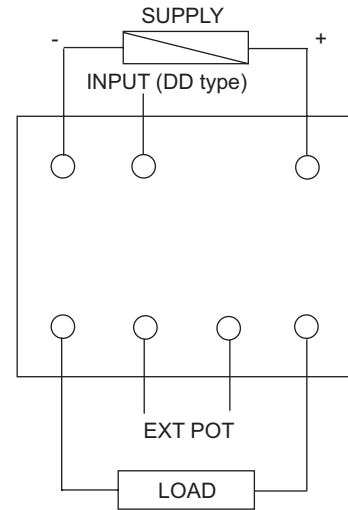
These encapsulated time delay modules are designed for either PCB (external control) or panel mounting (internal control). The panel mounted version has an internal potentiometer and is supplied with a calibrated, self-adhesive panel label. The PCB version requires an external 500K linear potentiometer. The module is available in three operating modes: delay on energise (DE), interval (INT) and delay on de-energise (DD) and two time ranges : 0.5 - 20 seconds and 5 to 200 seconds. The DE version will hold the output open until the set time has elapsed, while the INT version will hold it closed until the set time is reached. The DD version will close the output for the set time after the input pin is de-energised.

All versions have an open collector output. The timer is reset by removing the power supply.

### SPECIFICATION

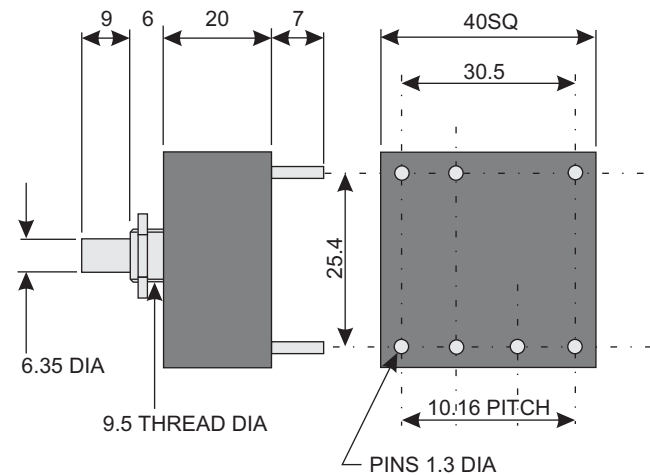
Supply voltage : 10 to 30V dc  
 Voltage stability : 1% over supply range  
 Output : 150mA (max) current sink  
 Power dissipation : 20mW(10V), 1W(30V)  
 Reset time : 50ms  
 Repeat accuracy : 1% @ 25°C  
 Accuracy : ±10% FSD  
 Linearity : >3% of full scale  
 Temp stability : 1% over range  
 Operating temp : -20 to +60°C  
 Protection : IP65

### CONNECTION DIAGRAM



Connections viewed from below

### DIMENSIONS



### STANDARD ITEMS

Potentiometer	Mode	Time range	Part Number
Internal	DE	0.5 - 20 secs	MDE20SSLP30VDC
Internal	DE	5 - 200 secs	MDE200SLP30VDC
Internal	INT	0.5 - 20 secs	MINT20SLP30VDC
Internal	INT	5 - 200 secs	MINT200SLP30VDC
Internal	DD	0.5 - 20 secs	MDD20SLP30VDC
Internal	DD	5 - 200 secs	MDD200SLP30VDC
External	DE	0.5 - 20 secs	MDE20SRP30VDC
External	DE	5 - 200 secs	MDE200SRP30VDC
External	INT	0.5 - 20 secs	MINT20SRP30VDC
External	INT	5 - 200 secs	MINT200SRP30VDC
External	DD	0.5 - 20 secs	MDD20SRP30VDC
External	DD	5 - 200 secs	MDD200SRP30VDC

For other modes, time ranges or pin layouts please contact our sales office.

TEMPATRON