

REFRIGERATION CONTROLLERS

PLANTWATCH PRO SUPERVISORY SYSTEM



- Supervises small to medium controller installations (connects up to 100 devices)
- Large colour LCD touch screen
- Manages alarm, messaging and HACCP functions
- Displays graphs of selected variables
- IP65 rated enclosure with top or bottom cable entry
- Fast set up using graphic interface
- 90 to 240Vac power supply
- 3 output relays, 2 RS232 and 2 RS485 serial ports
- 3 USB ports for import/export of data to a PC

PlantWatchPRO is the new solution for the supervision of small to medium installations. Complete network and alarm configuration, simple navigation and a colour LCD touchscreen with simple and intuitive menus make this a practical solution for those environments with no room for a PC.

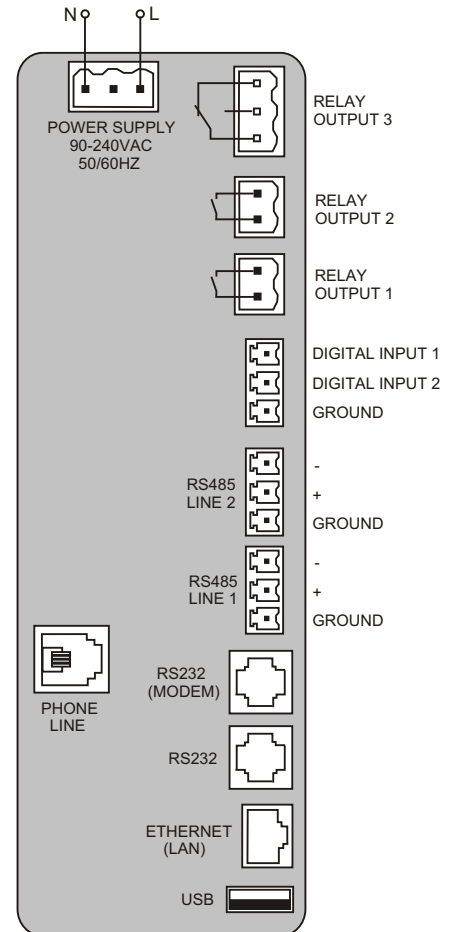
PlantWatchPRO can connect up to 100 devices using Carel or Modbus protocols and will record up to 100 variables, every 15 minutes for more than a year. It has 3 output relays for control of alarm signals, lights and defrosts and can export data to a PC. It has complete alarm configuration with a phone book for SMS and fax numbers and e-mail addresses.

Multiple users can access the system with different levels of privilege (i.e. administrator, normal user, etc).

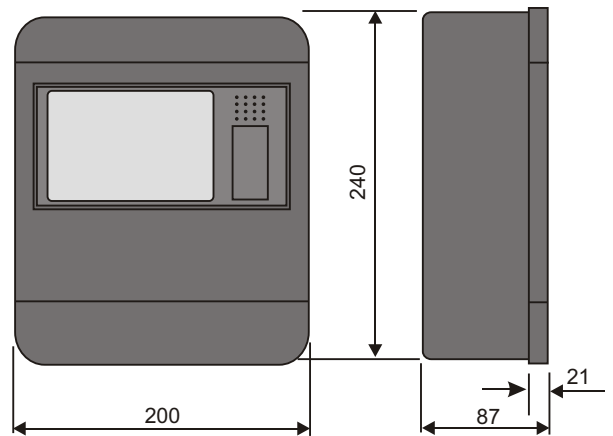
SPECIFICATION

Supply voltage : 90 - 240Vac 50/60Hz, 6.7W typ, 9W max
 Display : 5.7" TFT 262144 colours, white LED backlight
 Digital outputs : 2 NO relays 5A 250Vac/30Vdc
 1 NC relay 6A 250Vac
 Serial ports : 2 RS232 on RJ45 connector
 2 RS485 master, hd, opto-isolated, 19200bps
 Digital inputs : 2 opto-isolated inputs, 300 baud max
 USB Ports : 2 std host ports type A on front panel
 1 std host port type A, internal
 Internal modem : PSTN V.34/33.6K data rate
 Internal buzzer : Max 80dB at 10cm
 Ambient range: 5 to 50°C, 20% to 80% rH non-condensing
 IP rating : IP65 with cover closed

CONNECTION DIAGRAM



DIMENSIONS



TYPICAL SET-UP

