

REFRIGERATION CONTROLLERS

PJ32 ON/OFF REFRIGERATION CONTROLLER



- NTC or PTC input option
- Custom front panels available
- 12Vac/dc or 230Vac power supply
- Up to 3 relay outputs
- Front panel mounting system
- Serial connection/HACCP option
- Fast set up using programme key

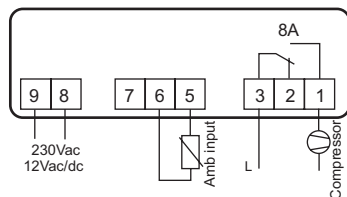
These controllers are designed specifically for normal and low temperature refrigeration units with static or ventilated evaporators. The front panel comes in a range of colours or can be custom designed. Versions are available with 1, 2 and 3 relay outputs, 1 and 2 NTC, 1 PTC and an optional digital input. The PJ32 can be powered from either 12Vac/dc or 230Vac supplies.

SPECIFICATION

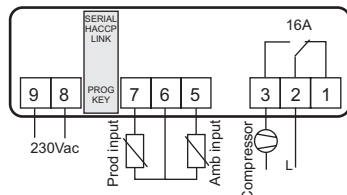
Supply voltage : 12Vac/dc or 230Vac
 Power drain : 3VA
 Sensor options : NTC or PTC
 Scale range : -50 to 90°C
 Accuracy : NTC +/-1°C
 PTC +/-3°C
 Outputs : S0E : 8A SPST relay
 S0P/S1P : 16A SPST relay
 S2,X,Y : 1 SPCO and 1SPST 8A relay
 C : 2 SPST 5A and 1 SPST 8A relay
 Approvals: Conforms to CE generic standards
 EN50081-1 and EN50082-1 for emc
 and EN61010-1 for low voltage
 Ambient range: -10 to 50°C <80% rH non-condensing
 Weight: 150gms

CONNECTION DIAGRAMS

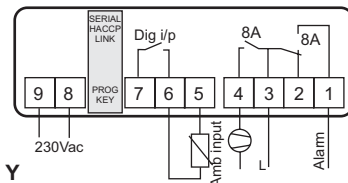
PJ32 S0E



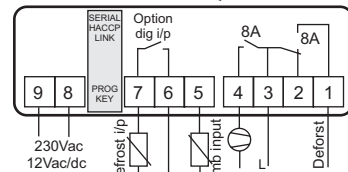
PJ32 S0 & S1



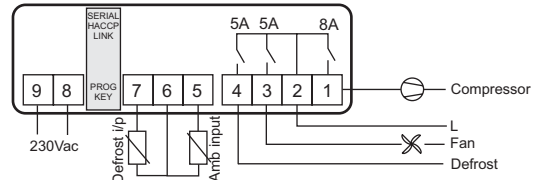
PJ32 S2



PJ32 X & Y



PJ32C

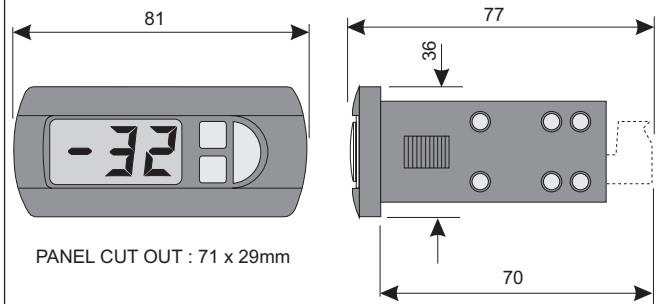


Part Numbering Options : PJ32 A B C D

A	Refrigeration unit type	S Y X C	Static units above 0°C Static units below 0°C Static units below 0°C ventilated units below 0°C
B	Digital input	0 1 2	No digital input Digital input Digital input + alarm output
C	Controller type	E 0 P	Economic Top version Top version 16A relays & buzzer
D	Power supply	L 0	12Vac/dc 230Vac

Note : All top versions include serial and HACCP link, quick mounting system, back-lit key pad and removable terminals.

DIMENSIONS



STANDARD ITEMS

Version	Voltage	Unit type	Inputs	Part Number
Basic	12Vac/dc	Static>0°C	1 NTC	PJ32S0EL
Basic	230Vac	Static>0°C	1 NTC	PJ32S0E0
Top	230Vac	Static>0°C	1 NTC	PJ32S000
Top	230Vac	Static>0°C	2 NTC	PJ32S0P0
Top	230Vac	Static>0°C	1 NTC, 1 dig	PJ32S200
Basic	12Vac/dc	Static<0°C	2 NTC	PJ32Y0EL
Top	230Vac	Static<0°C	2 NTC	PJ32Y000
Top	230Vac	Static<0°C	1 NTC, 1 dig	PJ32X100
Top	230Vac	Ventilated<0°C	2 NTC	PJ32C000

Programming key	PJOPZKEY00
RS485 serial module	PJOPZ48500
HACCP module	PJOPZHACPO

For models with PTC probe inputs, digital input options, alternative or customised front panels, please contact our sales office.