

# REFRIGERATION CONTROLLERS

## MASTERCELLA COLD ROOM CONTROLLER



- Purpose designed cold room controller
- 2 NTC Thermistor inputs and 3 digital inputs
- 230Vac power supply
- Up to 5 relay outputs
- Built in alarm buzzer and IR remote sensor
- Real time clock for HACCP functions
- IP65 rated with top or bottom cable entry
- RS 485 Serial connection
- Fast set up using preset configuration or program key

MasterCella is an integrated solution for the control of single phase, static or ventilated cold rooms. It will directly manage single-phase units with up to 2HP compressors, evaporator fans, defrost heaters, lights and alarm functions. The IP65 rating means that MasterCella can be used in humid environments and can be installed directly on the front of the cold room, while wiring is made simple by the space available inside the unit.

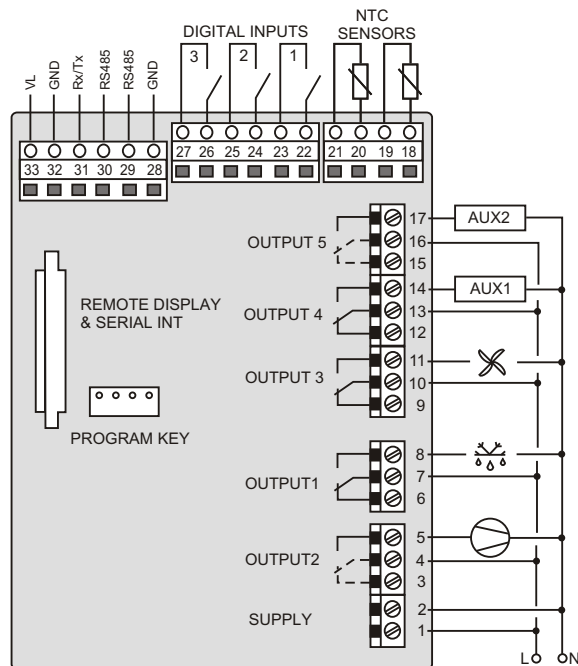
MasterCella manages smart defrosts and some versions have a real time clock for timed defrosts. Models fitted with the clock also have full HACCP reporting facilities. The serial connection can be used for programming or monitoring in conjunction with PlantWatchPro system.

Versions are available with a 24A interlock disconnect switch on the front panel, making the controller suitable as a complete electrical installation.

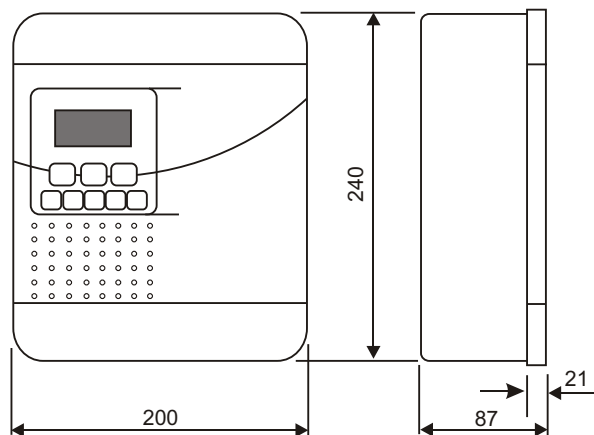
### SPECIFICATION

Supply voltage : 230Vac (-15% +10%) 50/60Hz  
 Inputs : 2 x NTC 10K@25°C  
 3 x volt free contacts - non opto isolated  
 Scale range : -50 to +90°C  
 Accuracy : NTC +/-1°C.  
 Outputs : OP1 : 30A or 16A SPDT relay  
 OP2 : 16A SPDT relay  
 OP3 : 8A SPST relay  
 OP4 : 8A SPDT relay  
 OP5 : 2HP or 16A SPDT relay  
 Ambient range: -10 to 50°C <90% rH non-condensing

### CONNECTION DIAGRAMS



### DIMENSIONS



### STANDARD ITEMS

	Outputs					IR	Clock	HACCP
	comp	def	fan	aux1	aux2			
MD33D0EN00	16A	16A	8A	8A	16A	-	-	-
MD33D0EB00	16A	16A	8A	8A	16A	x	x	x
MD33D2EN00	30A	16A	8A	8A	16A	-	-	-
MD33D5EN00	30A	16A	8A	8A	2Hp	-	-	-
MD33D5EB00	30A	16A	8A	8A	2Hp	x	x	x
<b>Models with 24A interlock switch</b>								
MD33D0FB00	16A	16A	8A	8A	16A	x	x	x
MD33D5FB00	30A	16A	8A	8A	2Hp	x	x	x

The MasterCella can be set up quickly using the program key (battery or mains versions) or the IR remote control



Program key (battery version)



IR remote control