

# TEMPERATURE & PROCESS CONTROLLERS

## IRDR TEMPERATURE & PROCESS CONTROLLER



- DIN-rail mounting
- 9 programmable control modes
- Temperature, humidity or air-pressure input sensor options
- 1, 2 or 4 output/set-point options
- 2 Digital inputs to select temperatures or activate alarms.
- Infra-red, hand-held remote control programming option
- RS232/485 programming and data analysis via serial link
- CE approval for emc and low voltage directives
- Dual 12-24Vac/dc and 240Vac supply inputs (not all models)

The IRDR series of temperature controllers are designed specifically for in-panel, DIN-rail mounting. With their analogue current and voltage, thermocouple and RTD inputs and 1, 2 & 4 output options, they combine simple control and programmability with flexibility of use for a wide range of applications. They can be configured for 9 different control modes covering on/off, proportional (P) or proportional/integral (PI) action and can be used to control temperature, humidity, air-pressure or other media with suitable transducers.

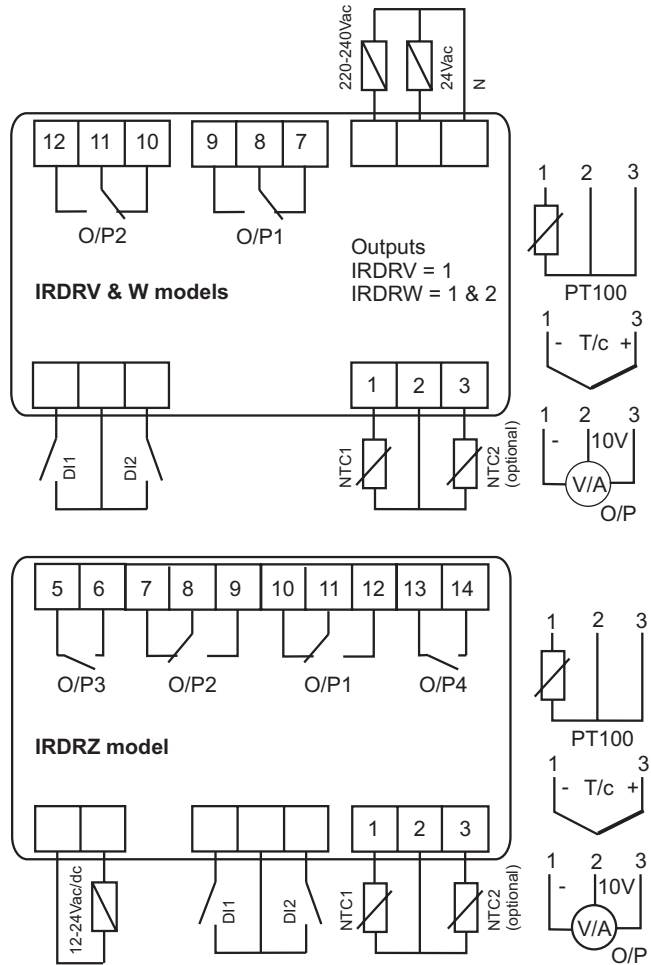
### SPECIFICATION

Supply voltage: 12-24Vac/dc +/- 10%  
 Supply drain: 3VA max.  
 Inputs: Sensor: 1 or 2 NTC, PT100, J or K thermocouple  
 Current: 4-20mA, Voltage: -0.5 to 1V  
 2 programmable function to switch between set-points or to act as an alarm.  
 Digital inputs:  
 Scale range: NTC: -40 to 90°C  
 Pt100: -99 to 600°C  
 J T/c: -99 to 800°C  
 K T/c: -99 to 999°C  
 mA/V: -99 to 999 units  
 Accuracy: +/- 0.5% of scale range  
 Output types: 1, 2 or 4 relays or SSR drives  
 see connection diagrams  
 Output ratings: Relay: 8A @ 250Vac (10 A inrush)  
 SSR: 10V/25mA  
 Probe supply: 10Vdc @ 30mA internal  
 Protection: IP40  
 Approval: Conform to CE emc EN50081-1 & EN50082-1  
 and low voltage EN61010-1 directives.  
 Ambient range: 0 to 50°C @ 90% rH (non-condensing)  
 Weight: IRDRV: 220 gms IRDRW: 240 gms

### Part Numbering Options : IRDR A B 0000

A	Outputs			
	1 Relay		8A/250Vac	V
	2 Relays		"	W
	4 Relays		"	Z
	1 SSR		10V/25mA	D
	4 SSRs		"	A
B	Input			
	NTC probe		-50 to 90°C	0
	PT100 probe		-99 to 600°C	1
	J/K Thermocouple		0 to 999°C	2
	Current		4 to 20mA	3
	Voltage		-0.5 to +1V	4

### CONNECTION DIAGRAM



### STANDARD ITEMS

Output Type	Input Type	Part Number
1 relay	PT100	IRDRV10000
	J/K thermocouple	IRDRV20000
2 relays	PT100	IRDRW10000
	J/K thermocouple	IRDRW20000
4 relays	PT100	IRDRZ10000
	J/K thermocouple	IRDRZ20000
NTC probe	Plastic IP67	NTC015HP00
NTC probe	Stainless steel Ip68	NTC015WP00
Wall mounting enclosure		GR15070P

For SSR output versions or current and voltage input types please contact our sales office.