

DIGITAL TEMPERATURE & PROCESS CONTROLLERS

IR33 TEMPERATURE CONTROLLER



The IR33 controller is the replacement for the IR32 range. It has all of the functions of the IR32 plus additional features such as PID control. All of the parameters on the IR33 have the same meaning as on the IR32 so the IR33 will work in exactly the same way as the IR32 if the same parameters are entered.

- 9 pre-set control modes
- On/Off or PID autotune control
- Selectable NTC, PTC or PT1000 sensor input options
- 1, 2 or 4 outputs relay or SSR drive outputs
- Infra-red remote control and external key programming options
- RS485 serial link for monitoring and programming
- IP65 water and dust protection
- Programmable advanced control options

SPECIFICATION

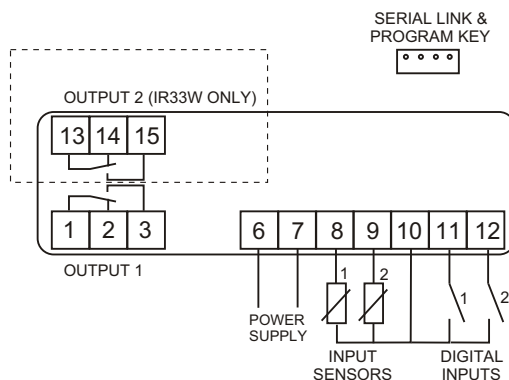
Supply:	12-24Vac/dc +/- 10% 110/230V with transformers
Supply drain:	3VA max.
Inputs:	1 or 2 NTC, PTC or PT1000 sensors
Digital input:	Programmable function to switch between set-points or to act as an alarm condition.
Scale range:	NTC : -50 to 90°C (-40 to 150°C enhanced) PTC : -40 to 150°C PT1000 : -50 to 150°C
Accuracy:	+/- 0.5% of scale range
Output ratings:	Relay: 8A @ 250Vac (10 A inrush) SSR: 12V/20mA
Protection:	IP65
Ambient range:	-10 to 60°C @ 90% rH (non-condensing)
Weight:	IR33V: 200 gms IR33W: 220 gms IR33Z: 240 gms

IR32 EQUIVALENTS

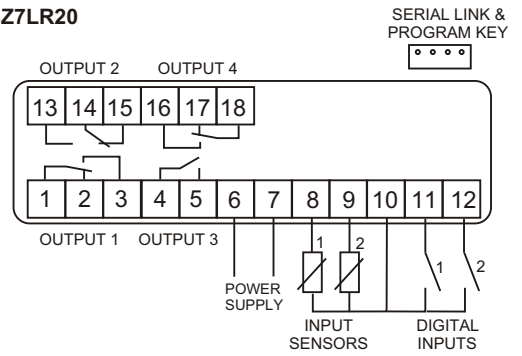
IR32 Part number	Features	IR33 Part number
IR32V0L000	12/24v, NTC, 1 relay	IR33V7LR20
IR32W00000	12/24v, NTC, 2 relays	IR33W7LR20
IR32Z00000	12/24v, NTC, 4 relays	IR33Z7LR20
IR32D00000	12/24v, NTC, 1 SSR	IR33D7LR20
IR32A0L000	12/24v, NTC, 4SSRs	IR33A7LR20

CONNECTION DIAGRAMS

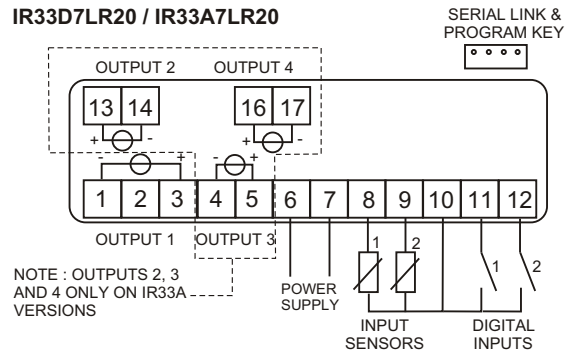
IR33V7LR20 / IR33W7LR20



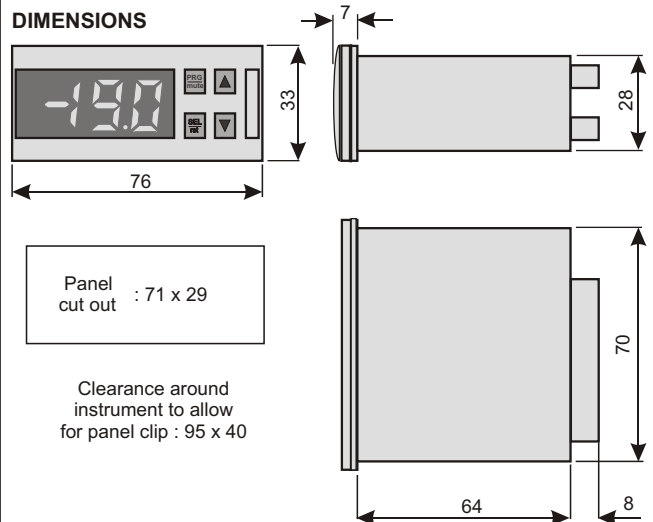
IR33Z7LR20



IR33D7LR20 / IR33A7LR20



DIMENSIONS



STANDARD ITEMS

Output type	Input type	Part number
1 Relay	2 x NTC, PTC, PT1000	IR33V7LR20
2 Relays	2 x NTC, PTC, PT1000	IR32W7LR20
4 Relays	2 x NTC, PTC, PT1000	IR32Z7LR20
1 SSR	2 x NTC, PTC, PT1000	IR32D7LR20
4 SSRs	2 x NTC, PTC, PT1000	IR32A7LR20
Remote control		IRTRUES000
Program key (battery)		IROPKEY00
Program key (mains)		IROPKEYA0

The IR33 can be set up quickly using either a program key (battery or mains version) or the IR remote control



Program key (battery operated version)



IR remote control