

REFRIGERATION CONTROLLERS

IR33 SMART REFRIGERATION CONTROLLER



- 3 models cover all the common refrigeration applications.
- No programming - just select from the preloaded applications
- 1, 2 and 4 relay outputs for compressor, defrost, fan and aux
- 110-230Vac power supply
- Up to 3 NTC sensor inputs (-50 to +90°C)
- 4 relay versions have a real time clock and HACCP functions

The IR33 SMART controller is designed specifically for the refrigeration installer. Instead of having to set-up the parameters for each controller installation, the IR33 SMART allows you to select from the range of pre-loaded applications when the controller is switched on. All of the relevant parameters are then set for that application and the unit only needs to be wired up and installed into the panel.

Detailed wiring diagrams covering each application are supplied with the unit.

PRE-LOADED APPLICATIONS

IR33S7HR0E (single relay output)

Ref	Application
Bn1	Normal temperature static refrigeration units (no defrost)
Bn2	Normal temperature static refrigeration units with timed defrost by stopping the compressor
Bn3	Heating thermostat

IR33Y7HR0E (2 relay outputs)

Ref	Application
Bn1	Normal temperature static refrigeration units with electric heater defrost (timed)
Bn2	Low temperature static refrigeration units with electric heater defrost (temperature)
Bn3	Low temperature static refrigeration units with electric heater defrost (temperature) and external alarm

IR33C7HB0E (4 relay outputs + real time clock & HACCP report)

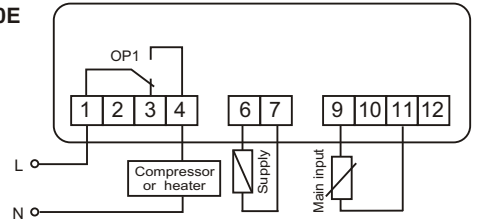
Ref	Application
Bn1	Normal temperature ventilated refrigeration units with electric heater defrost (timed)
Bn2	Normal temperature ventilated refrigeration units with electric heater defrost (temperature) and light management
Bn3	Normal or low temperature ventilated units with Electric heater defrost (temperature) and light management
Bn4	Normal temperature ventilated units with electric defrost (two evaporators, temperature)
Bn5	Normal or low temperature ventilated units with electric defrost (two evaporators, temperature)

SPECIFICATION

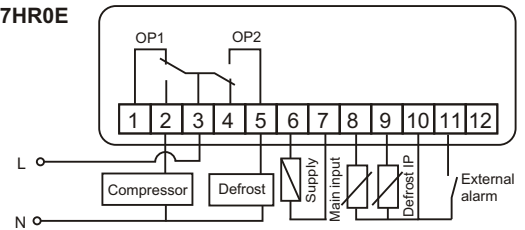
Supply: 110/230 Vac
 Supply drain: 3VA max.
 Inputs: 3 NTC sensors (or 2 NTC sensors + DI)
 Scale range: NTC = -50 to +90°C
 Accuracy: +/- 1% of scale range
 Outputs: IR33S: SPCO relay
 IR33Y: 2 x SPCO relay
 IR33C: 4 x SPCO relay
 Output ratings: 16A/8A/8A/8A @ 250Vac
 Protection: IP65
 Ambient range: 0 to 50°C
 Weight: IR33S: 160g IR33Y: 180g IR33C: 220 g

CONNECTION DIAGRAMS

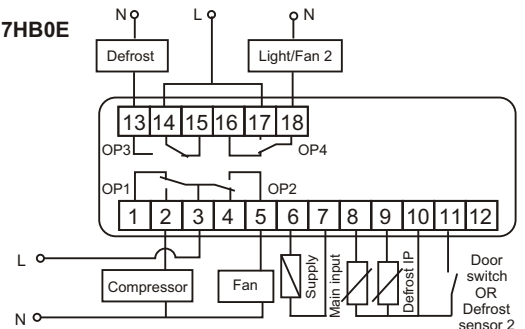
IR33S7HR0E



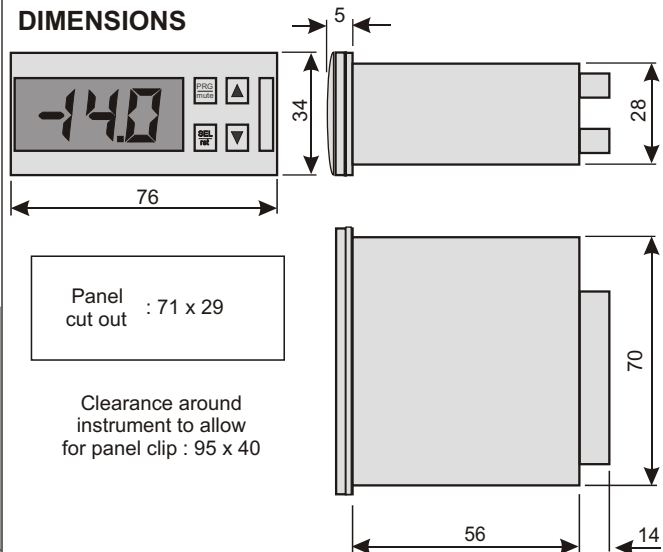
IR33Y7HR0E



IR33C7HB0E



DIMENSIONS



STANDARD ITEMS

Control Type		Part Number
1 Relay	115/230Vac	IR33S7HR0E
2 Relays	115/230Vac	IR33Y7HR0E
4 Relays	115/230Vac	IR33C7HB0E

TEMPATRON