

IR33 ON/OFF REFRIGERATION CONTROLLER



- Simple programming of regulator, compressor, defrost & alarm settings
- 1, 2 or 4 output options with alarm buzzer
- 16/8/5Amp relay outputs @ 250Vac
- Dual NTC probe input (ambient & defrost)
- Infra-red, hand-held remote control and programming key options
- RS485 programming and data analysis via serial link
- 12/24Vac/dc, 230 Vac and 115/230Vac versions
- Built-in real time clock and HACCP functions

The IR33 series temperature controllers are designed specifically for refrigeration and food processing applications. The IR33 represents the evolution of the IR32 range and can be used as straight replacements although many new features have been incorporated. All types have 2 NTC sensor inputs for ambient and defrost temperatures, ideal for operation over the temperature range -50 to +150°C. The model range provides flexibility in controlling refrigeration units with compressor, evaporator fan and defrost management. Versions are available with a built in real time clock and HACCP management functions. For ease of set up, the unit can be programmed via a PC, using the infra red hand held programmer or via the optional programming key.

MODEL DESCRIPTIONS

Part No	Power supply			Outputs				Features			
	12/24Vac/dc	230Vac	115/230Vac	Compressor	Defrost	Evaporator fan	Auxiliary	IR control	Real time clock	HACCP	RS485 option
IR33S0LR00	x			16A				x			x
IR33Y0LR00	x			16A	8A			x			x
IR33C0LR00	x			16A	8A	8A	8A	x			x
IR33C0LB00	x			16A	8A	8A	8A	x	x	x	x
IR33S0ER00		x		8A				x			x
IR33FOER00		x		8A	8A	5A		x			x
IR33C0HR00			x	16A	8A	8A	8A	x			x
IR33C0HB00			x	16A	8A	8A	8A	x	x	x	x

NOTE : All models have ambient probe, defrost probe, programming key and 1/2 digital inputs and internal alarm buzzer.

SPECIFICATION

Supply: 12-24Vac/dc
230 Vac
110/230 Vac

Supply drain: 3VA max.

Inputs: 2 NTC sensors (PTC inputs available)

Scale range: NTC = - 50 to 150°C

Accuracy: +/- 1% of scale range

Outputs: IR33S: SPCO relay
IR33Y: 2 x SPCO relay
IR33F: 3 x SPCO relay
IR33C: 4 x SPCO relay

Output ratings: 16A/8A/5A @ 250Vac (see table)

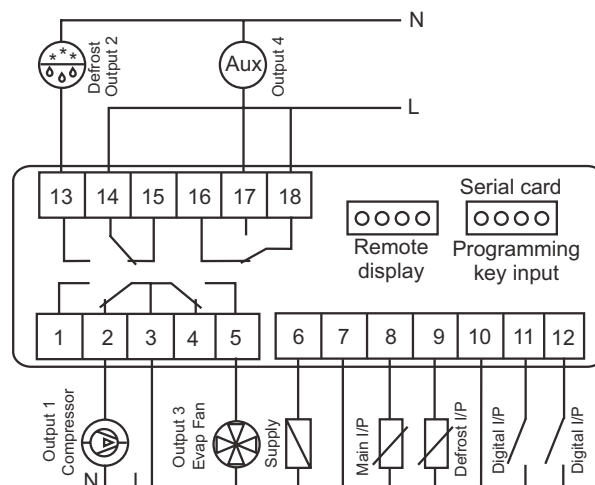
Protection: IP65

Approval: Conforms to CE emc EN50081-1 & EN50082-1 and low voltage EN61010-1 directives.

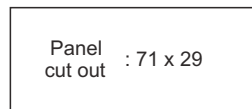
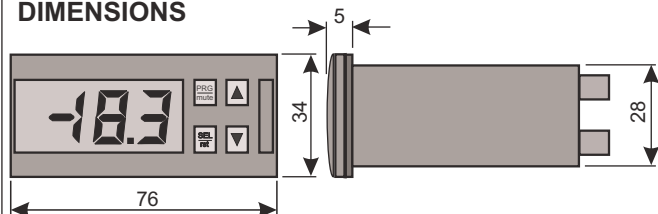
Ambient range: 0 to 50°C

Weight: IR33S: 160 gms IR33Y: 180 gms
IR33F: 200gms IR33C: 220 gms

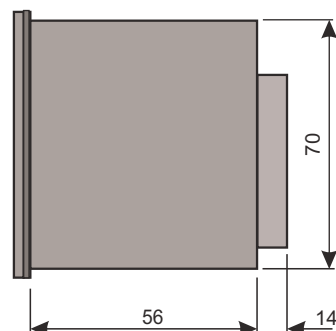
CONNECTION DIAGRAM (IR33COH)



DIMENSIONS



Clearance around instrument to allow for panel clip : 95 x 40



STANDARD ITEMS

Control Type	Power supply	Part Number
1 Relay, timed defrost	12/24Vac/dc	IR33S0LR00
2 Relays, temp defrost	12/24Vac/dc	IR33Y0LR00
4 Relays, vent temp defrost	12/24Vac/dc	IR33C0LR00
4 Relays, clock & HACCP	12/24Vac/dc	IR33C0LB00
1 Relay, timed defrost	230Vac	IR33S0ER00
3 Relays, vent temp defrost	230Vac	IR33FOER00
4 Relays, vent temp defrost	115/230Vac	IR33C0HR00
4 Relays, clock & HACCP	115/230Vac	IR33C0HB00