

DIGITAL TEMPERATURE CONTROLLERS

DTC410 ON/OFF TEMPERATURE CONTROLLER



- 4 programmable thermocouple inputs
- PT100
- 10 programmable alarm options
- Direct or reverse action
- Programmable set-point limits

The DTC410 range of on/off temperature controllers are designed to offer the programmable functionality of modern PID controllers but at a price suited to on/off applications. The clear LCD display and 2-button programming gives an easy to use set-up procedure. Message displays also provide a clear indication of alarms or error status.

SPECIFICATION

Supply voltage: 10 - 32Vac/dc @ 60mA max.
90 - 260Vac, 50/60 Hz @ 1.5VA max.

Sensor options: J, K, T, N T/couples, PT100.

Scale ranges: J T/c = -99 to 700°C (999°F)
T T/c = -99 to 300°C (570°F)
K/N T/c = -99 to 999°C or F
PT100 = -99 to 400°C (700°F)

Gain accuracy: T/c = +/- 0.25% of scale range
Others = +/- 0.6% of scale range

Offset accuracy: T/c = +/- 5°C, PT100 = +/- 2°C

Outputs: Control: 3A @ 240Vac, SPCO relay
Alarm: 3A @ 240Vac, SPNO relay

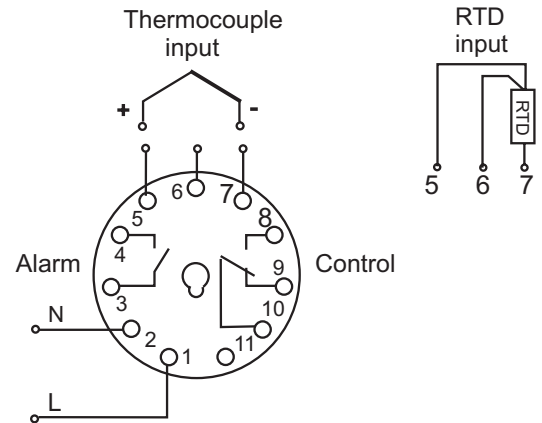
Approvals: Conforms to CE generic standards
EN50081-1 and EN50082-1 for emc
and EN61010-1 for low voltage

Ambient range: -10 to 50°C non-condensing

Memory back-up: EEPROM

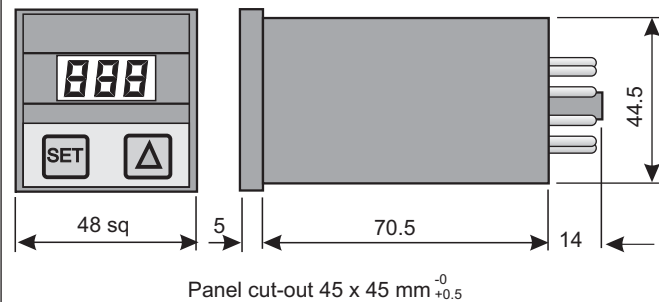
Weight: 205gms

CONNECTION DIAGRAM



Note : The ML models do not have isolation between power supply and sensor so an isolated or non-earthed sensor must be used.

DIMENSIONS



STANDARD ITEMS

Input	Voltage	Part Number
Thermocouple	10 - 32Vac/dc	DTC410-01-ML
	90 - 260Vac	DTC410-01-MH
PT100	10 - 32Vac/dc	DTC410-02-ML
	90 - 260Vac	DTC410-02-MH
Wiring socket - panel mount		AZ511
Wiring socket - DIN rail mount		AZ611

For details of suitable input sensors or our matching UDT series timer please contact our sales office.