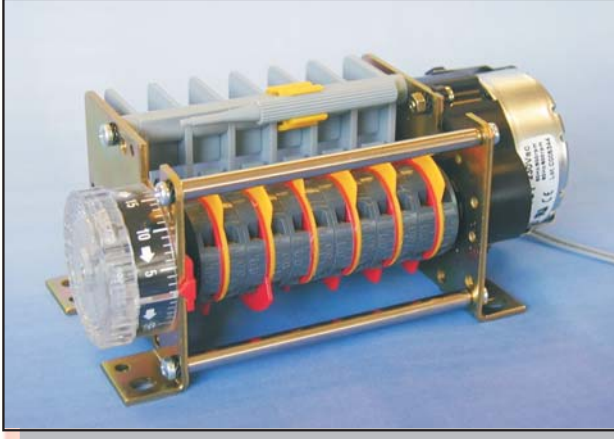


ANALOGUE TIMERS

ELECTROMECHANICAL CAM TIMERS



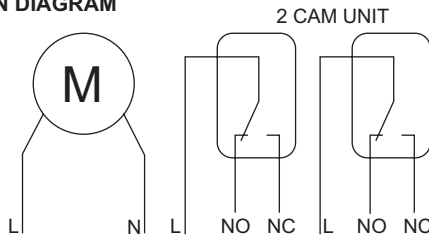
- 12, 24, 48, 110 & 230Vac operation
- Screw adjustable cams
- 2, 4 or 6 micro switches
- Cycle time 3 secs to 24 hrs

The 5000 series electromechanical cam timers can be supplied with either 2, 4 or 6 cams. The standard models are supplied with 2 screw adjustable cams at each micro switch position. Cycle times between 3 seconds and 24 hours can be achieved using the standard motor and gearbox combination. 5000 series timers accept standard V3 type microswitches

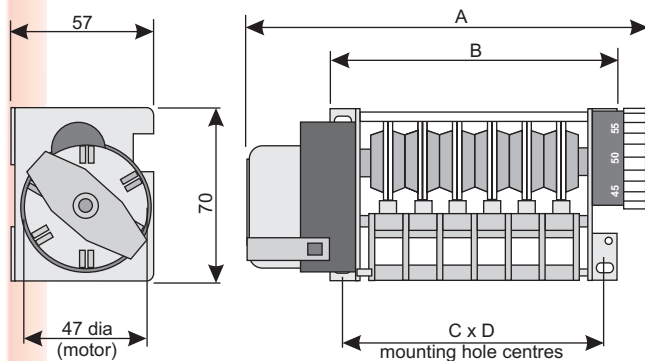
SPECIFICATION

Supply voltage : 12, 24, 48, 110 or 230Vac
 Supply frequency : 50/60Hz
 Cam diameter : 42mm
 Microswitch type : V3 (supplied separately)
 Output rating : 16A @ 250Vac
 Insulation : 2000Vac
 Standard cycle times : 3, 6, 12, 30 secs; 1, 2, 3, 6, 12, 30 mins;
 1, 2, 3, 6, 12, 24 hours
 Minimum setting : 1/60 of cycle time
 Mechanical life : 8 years continuous operation
 Electrical life : 200,000 operations
 Operating temp : -10 to 55°C
 Weight : 2 way :350gms; 4 way : 400gms;
 6 way :450gms

CONNECTION DIAGRAM



DIMENSIONS (See table)



No Cams	A	B	C	D
2	95	67	54	59
4	119	91	78	59
6	144	116	103	59

All dimensions in millimetres

Part Numbering Options : 50AB - CD - EF - G

AB	No Cams	2 4 6	02 04 06
CD	Rotation direction	Clockwise Anti clockwise	V1 V3
EF	Cycle time	3 seconds 6 seconds 12 seconds 30 seconds 1 minute 6 minute 30 minute 1 hour 12 hour 24 hour	3S 6S 12S 30S 1M 6M 30M 1H 12H 24H
G	Power supply	12Vac 24Vac 110Vac 230Vac	12V 24V 110V 230V

STANDARD ITEMS

No Cams	Rotation	Cycle time	Voltage	Part Number
2	CW	1 minute	12Vac	5002-V1-1M-12V
6	CW	1 minute	12Vac	5006-V1-1M-12V
2	CW	1 minute	240Vac	5002-V1-1M-240V
6	CW	1 minute	240Vac	5006-V1-1M-240V
2	CW	1 hour	12Vac	5002-V1-1H-12V
6	CW	1 hour	12Vac	5006-V1-1H-12V
2	CW	1 hour	240Vac	5002-V1-1H-240V
6	CW	1 hour	240Vac	5006-V1-1H-240V
2	CW	24 hour	12Vac	5002-V1-24H-12V
6	CW	24 hour	12Vac	5006-V1-24H-12V
2	CW	24 hour	240Vac	5002-V1-24H-240V
6	CW	24 hour	240Vac	5006-V1-24H-240V

For other cam layouts, cycle times or supply voltages please contact our sales office.

TEMPATRON